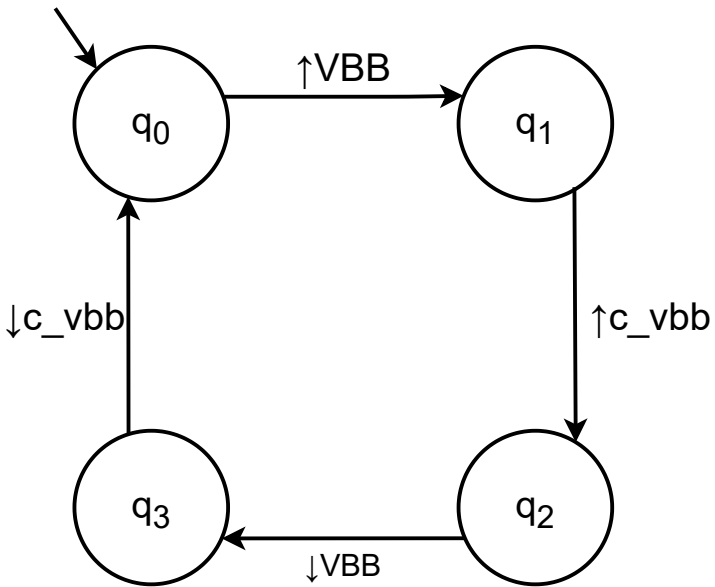
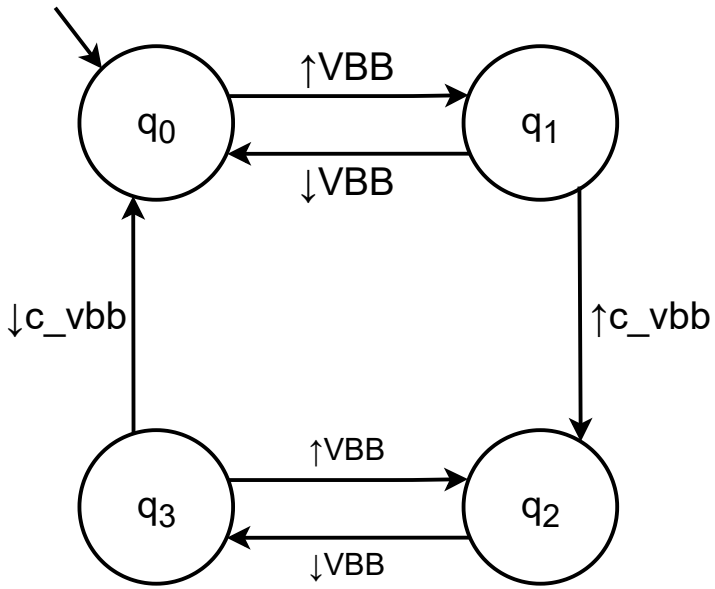
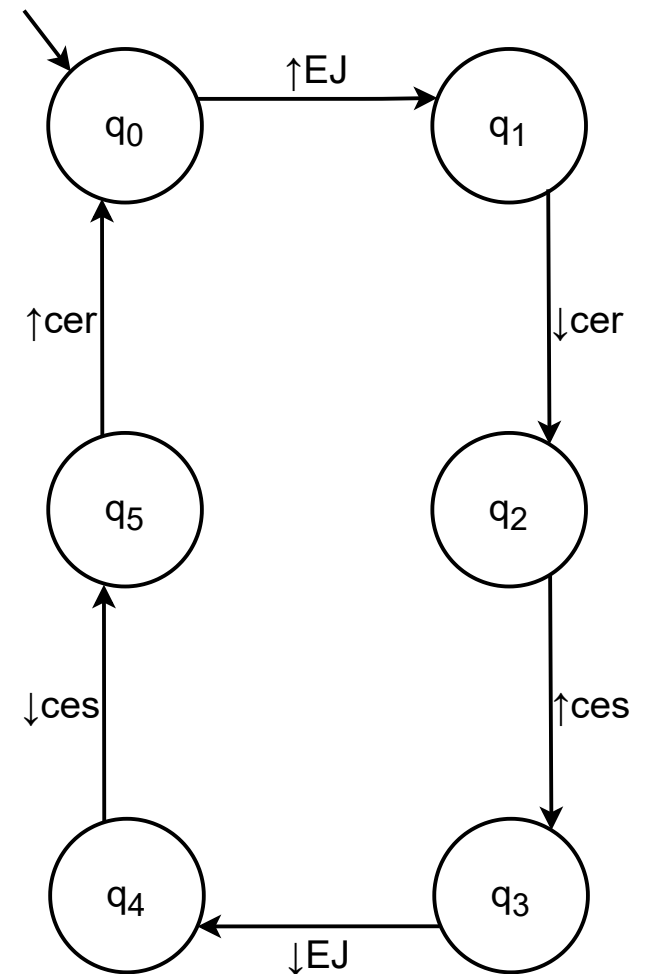
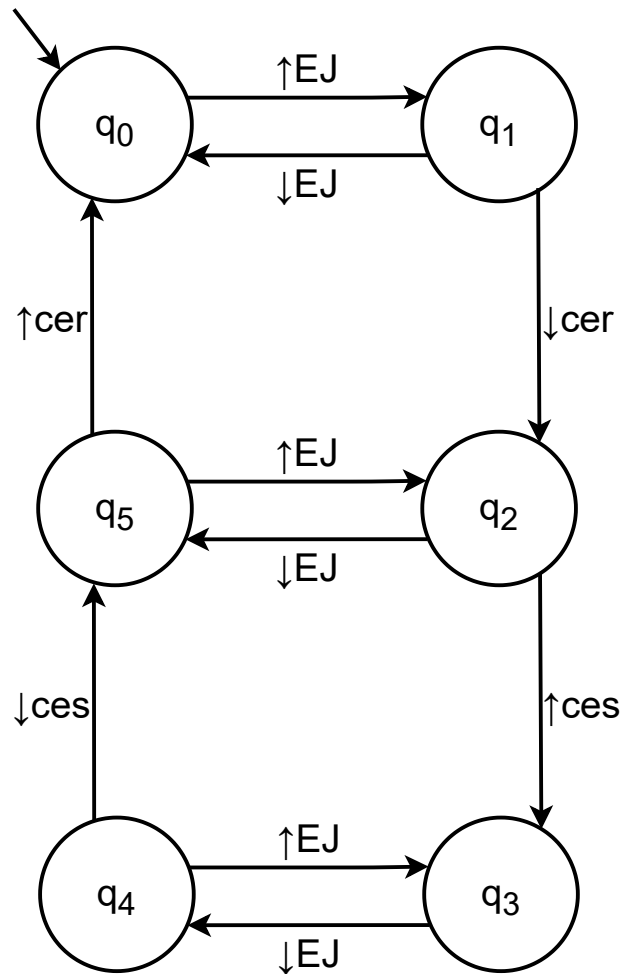


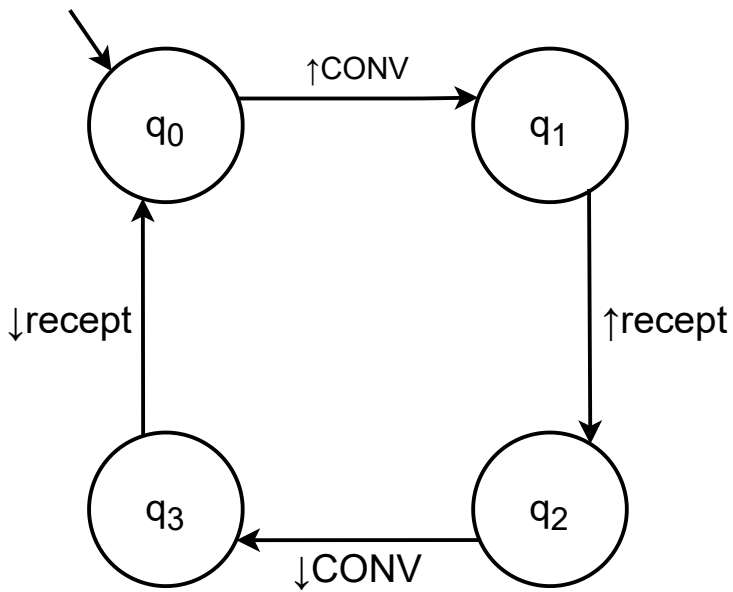
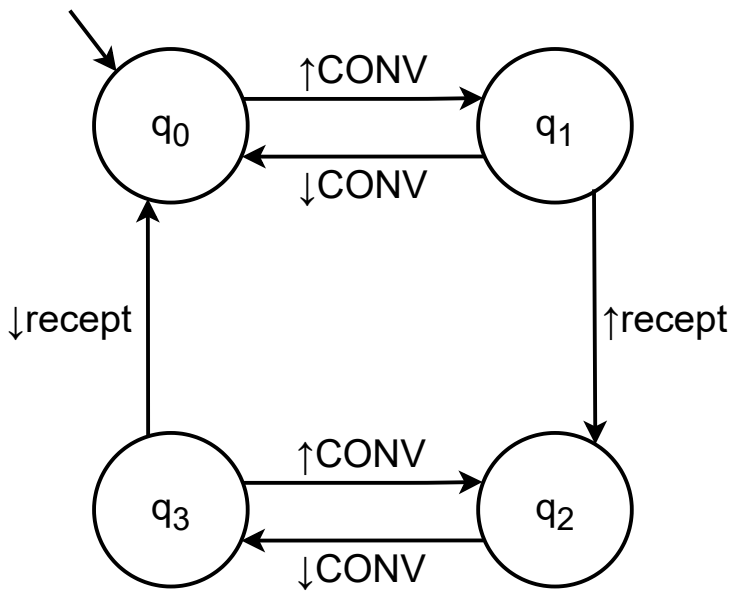
Cap dispenser



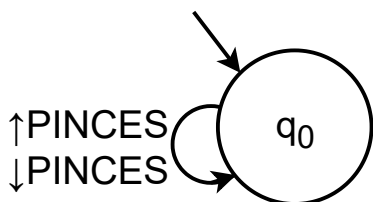
Ejector cylinder



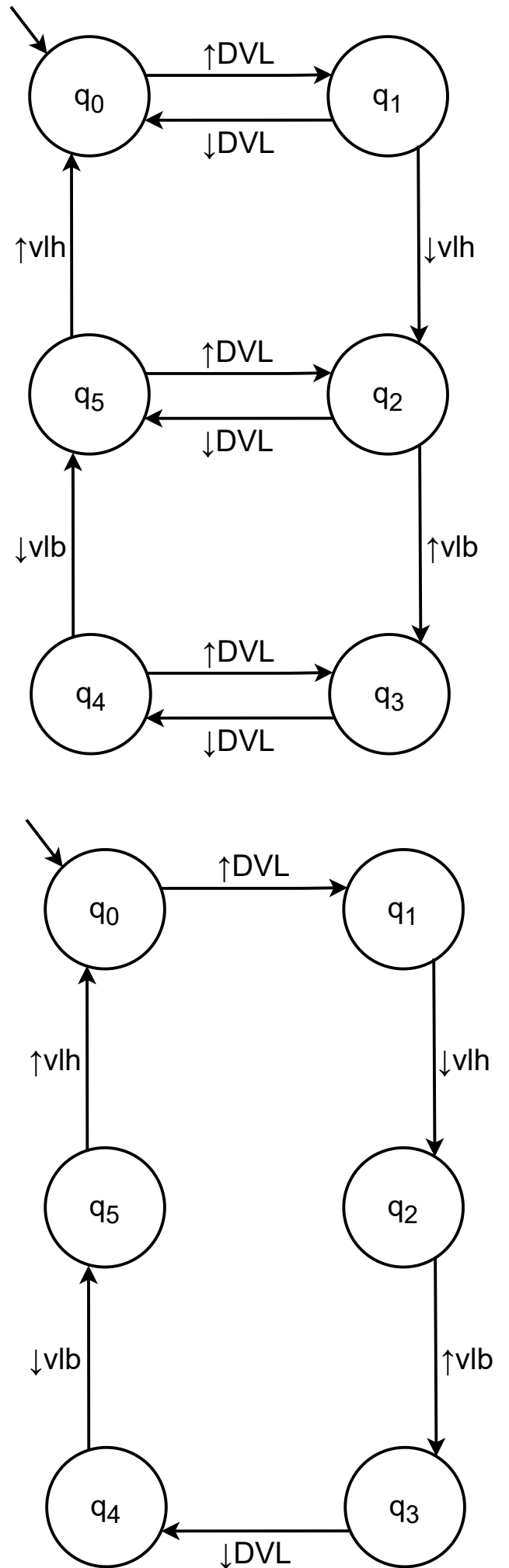
Conveyor



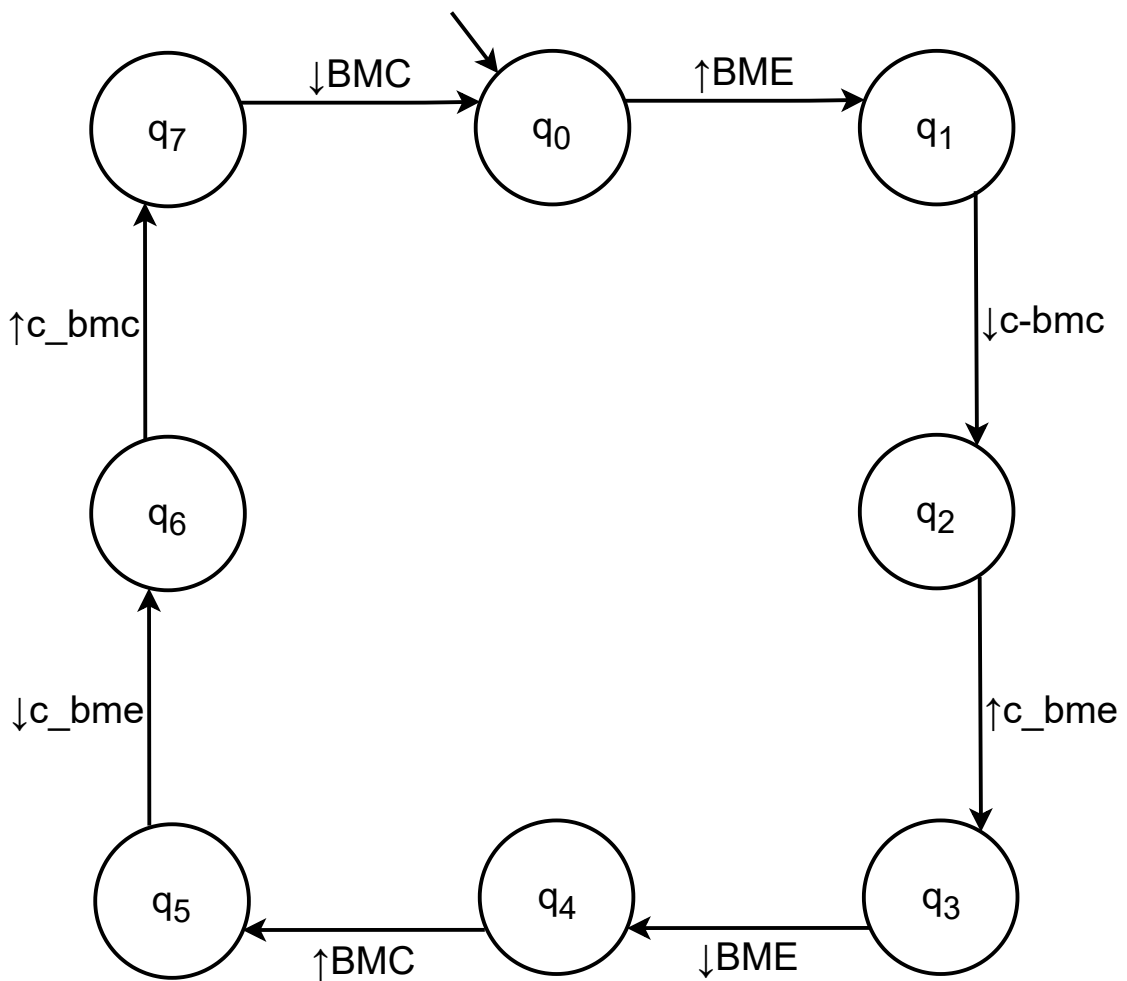
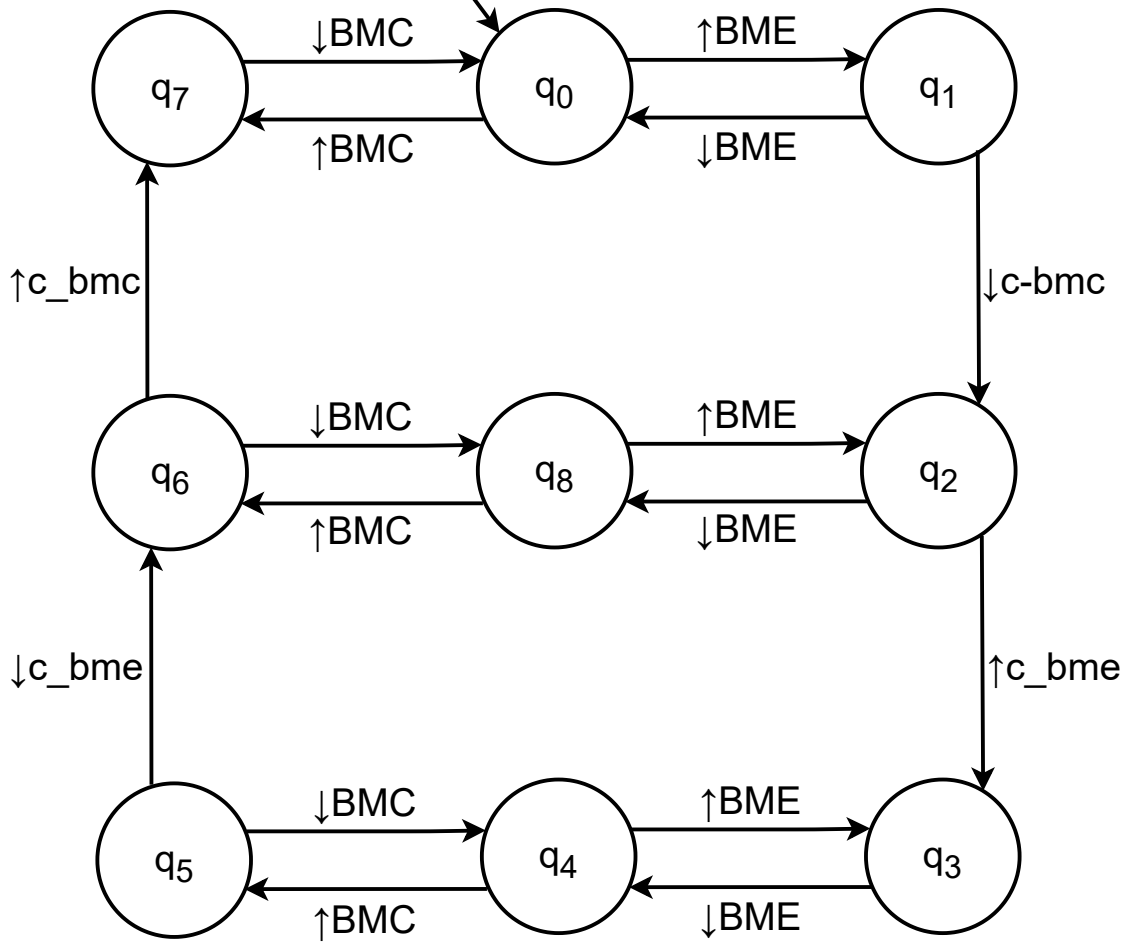
Suction cup



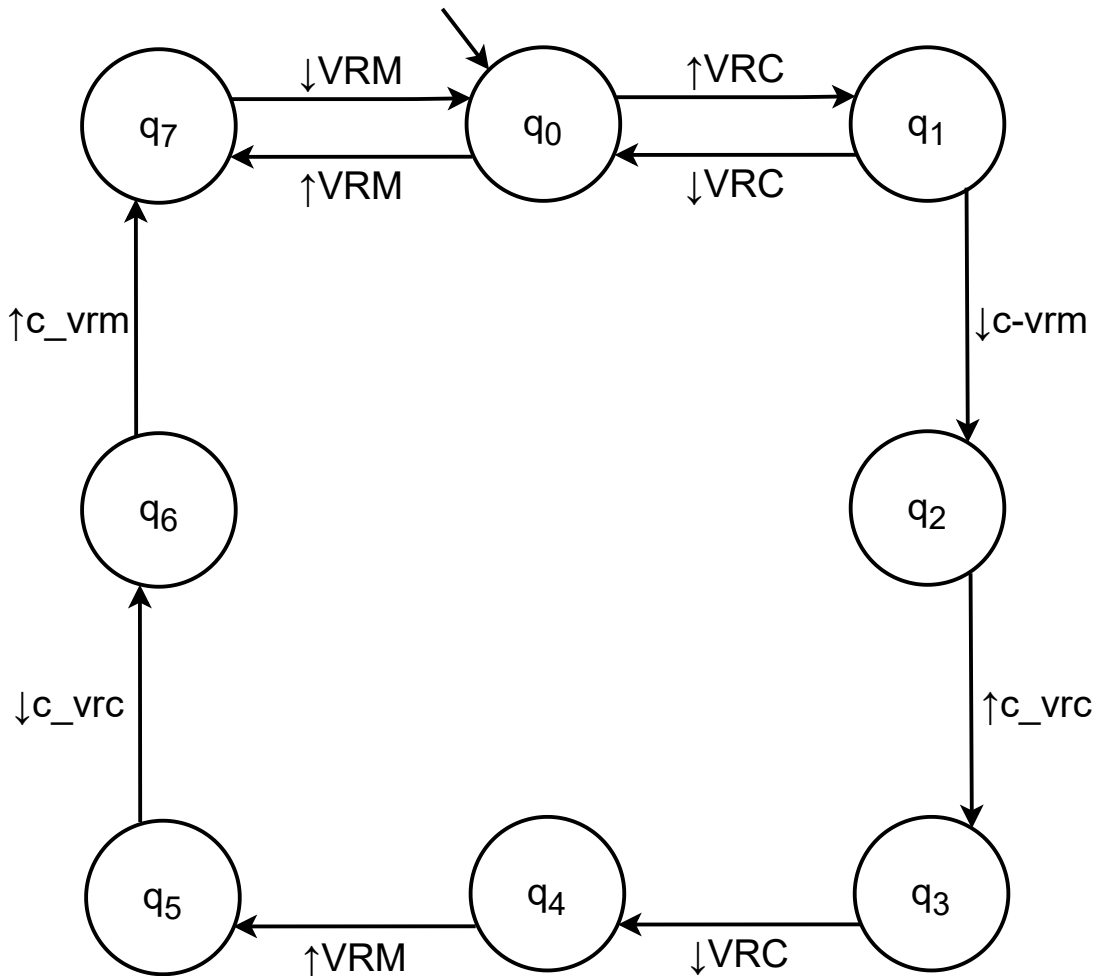
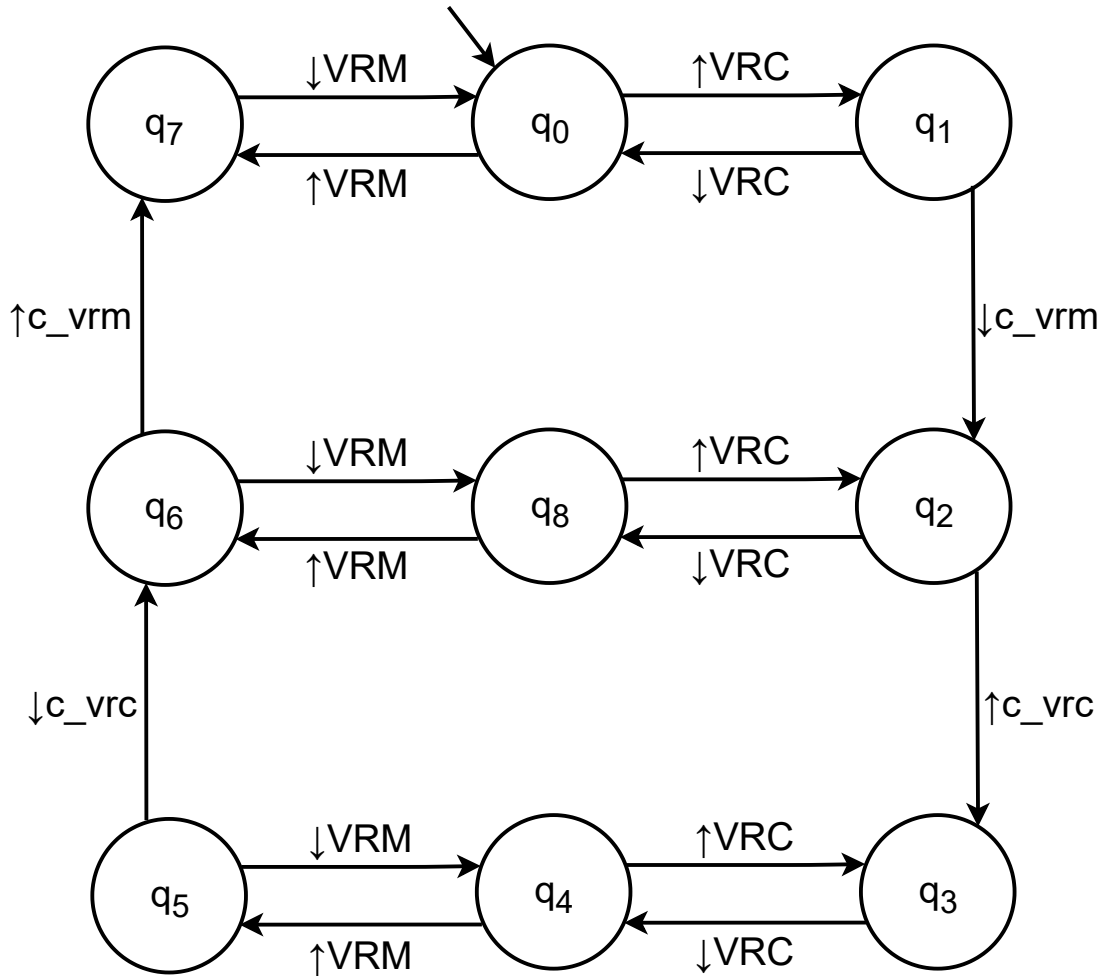
Handling arm



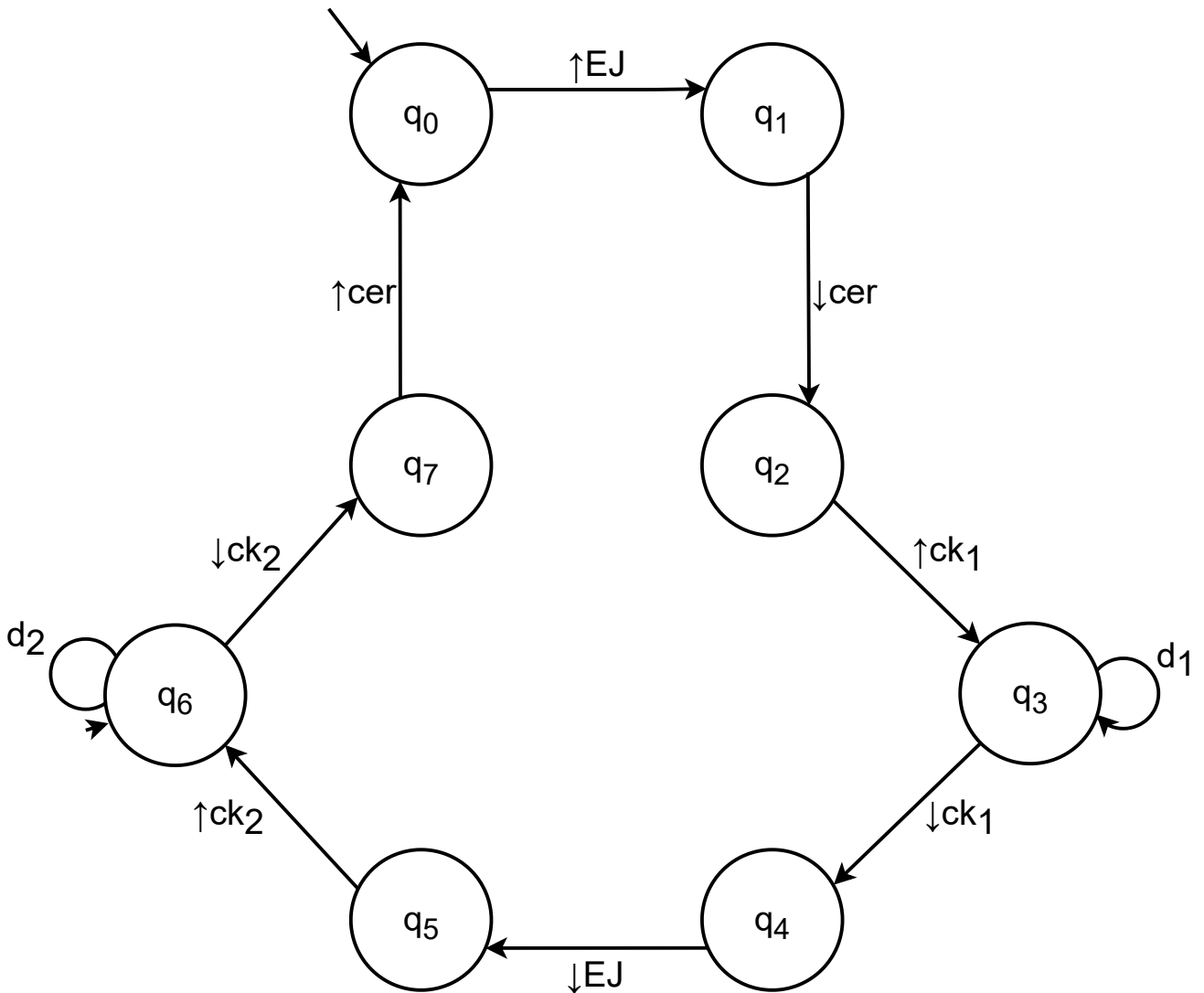
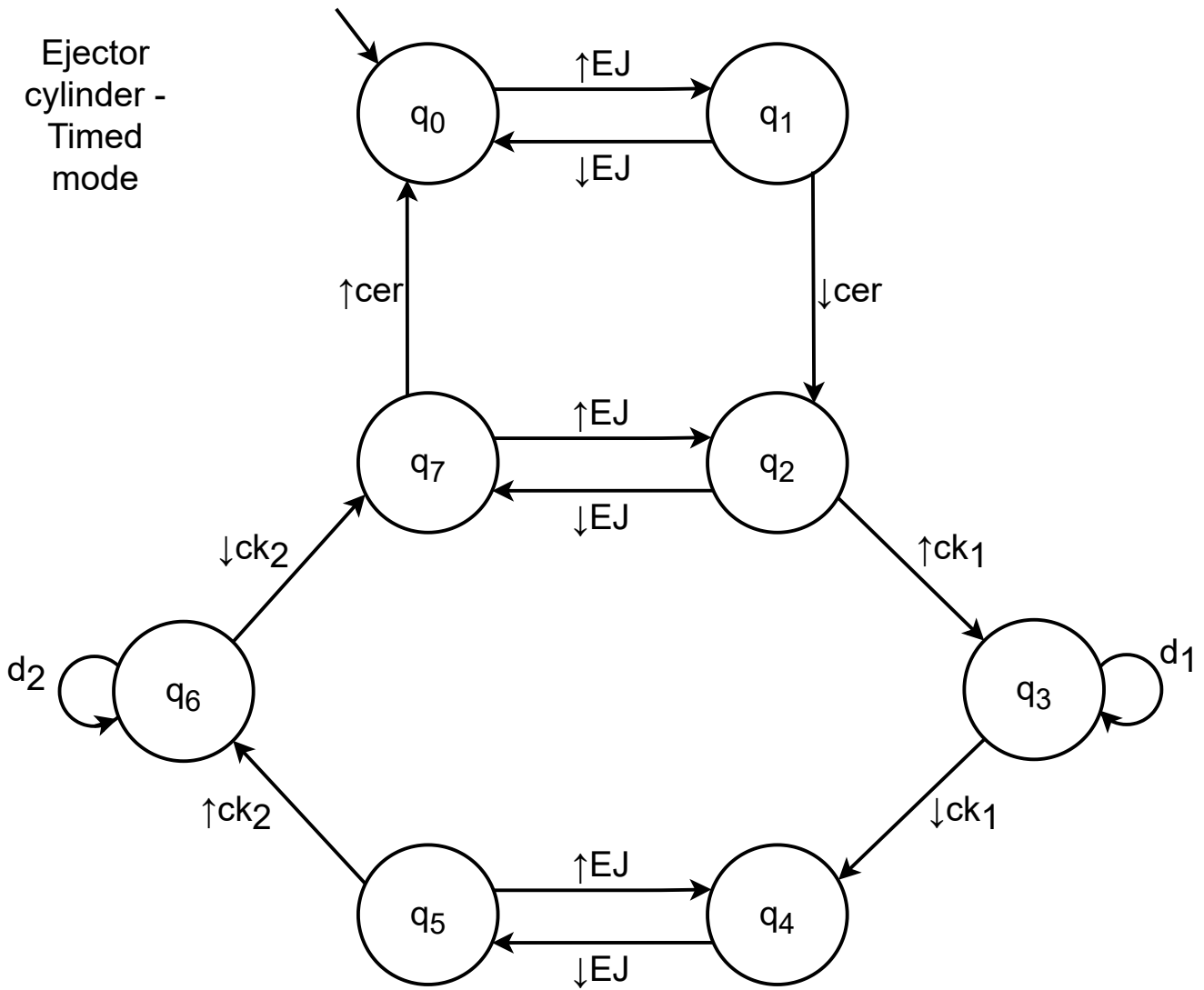
Conveyor of
handling arm



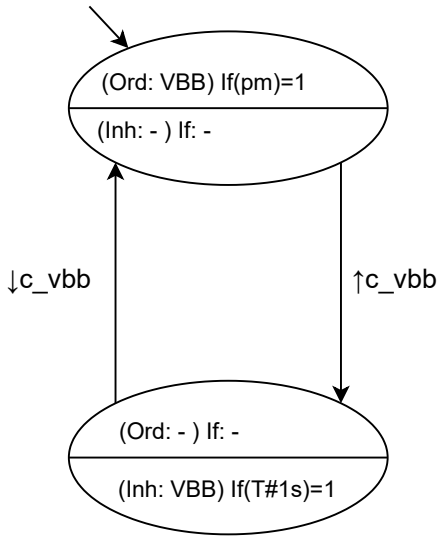
Rotary cylinder



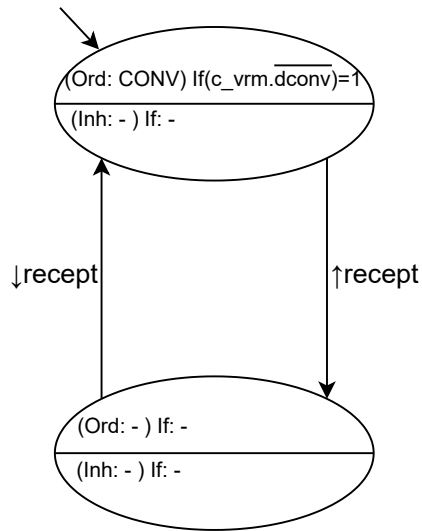
Ejector
cylinder -
Timed
mode



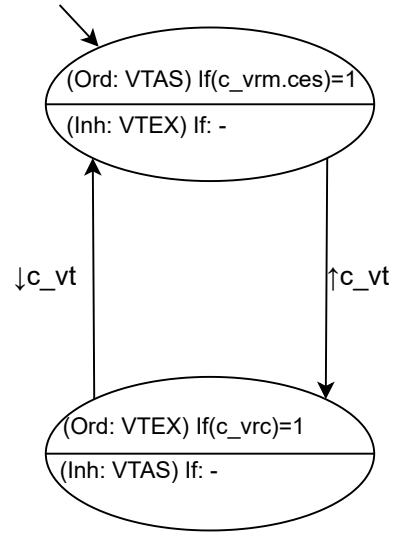
Cap dispenser



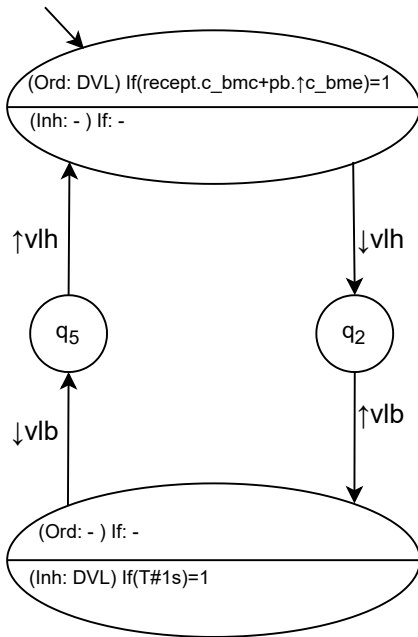
Conveyor



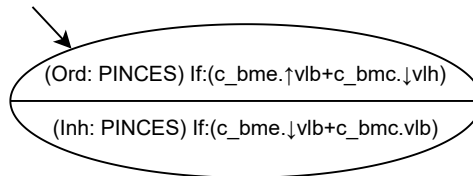
Suction cup



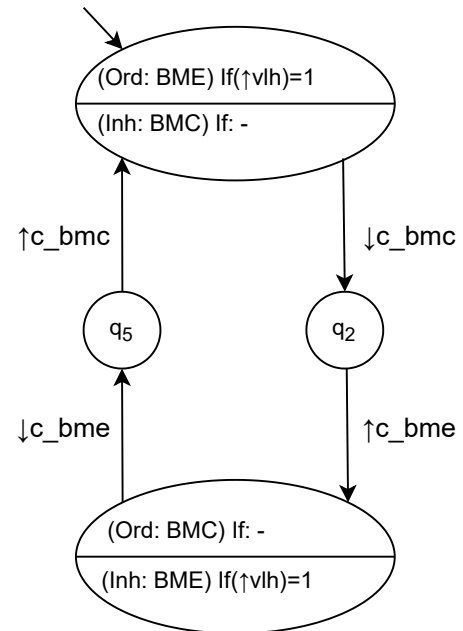
Handling arm



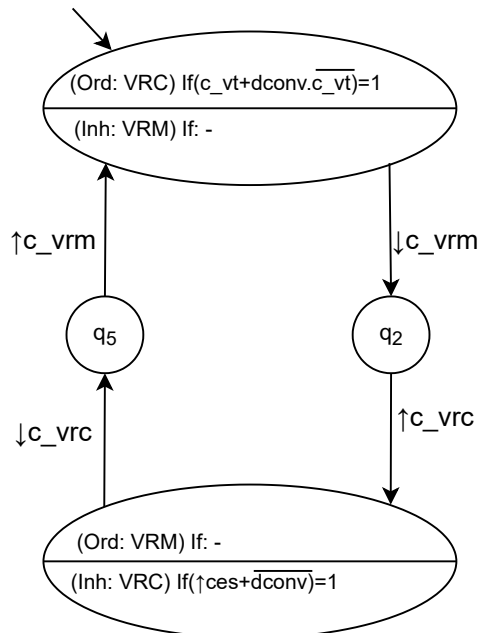
Gripper of handling arm



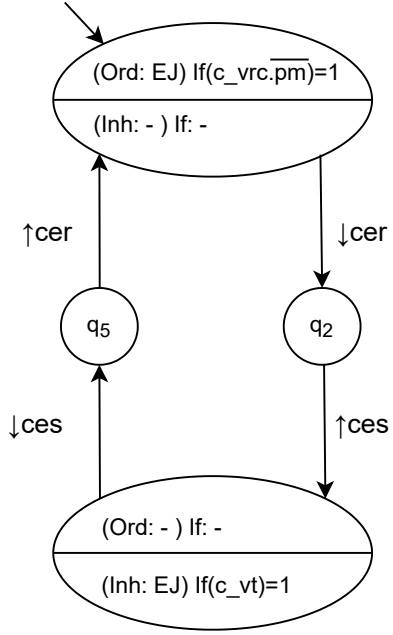
Conveyor of handling arm



Rotary cylinder



Ejector cylinder



Ejector cylinder - timed mode

